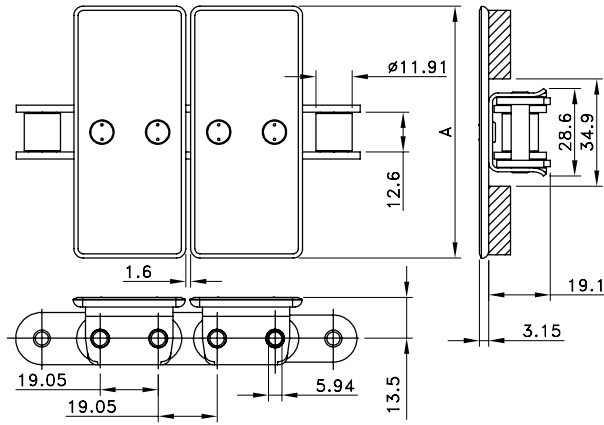


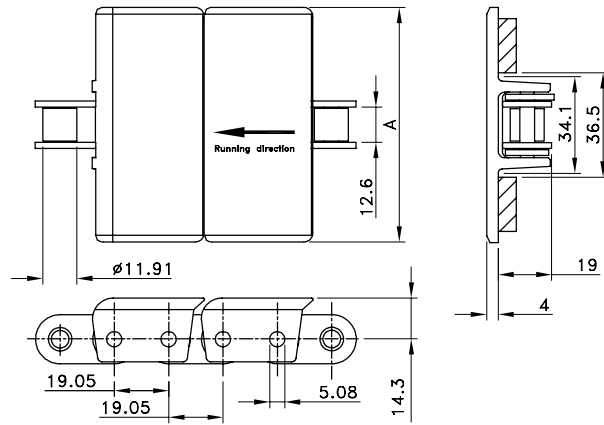
Straight Run 3/4" Pitch Steel Top Plate



Chain Type	Code Number	Plate Width A		Weight kg/m	Loose Top Plate Code Number	Working Load (max.) N (21°C)	Connection Link	
		mm	inch				Type	Code Number
Steel Top Plate/Steel Base Chain								
1864-K325	814036213	82.5	3.25	3.33	514-113-13	4500	CL-1864 CA	514-331-1
1864-K450	814036219	114.3	4.50	4.00	514-113-19			
1864-K600	814036223	152.4	6.00	4.40	514-113-23			
1864-K750	814036225	190.5	7.50	4.80	514-113-25			
Stainless Steel Top Plate/Stainless Steel Base Chain								
1864 SS-K325	814036313	82.5	3.25	3.33	514-114-13	3400	CL-1864 SS	514-115-1
1864 SS-K450	814036319	114.3	4.50	4.00	514-114-19			
1864 SS-K600	814036323	152.4	6.00	4.40	514-114-23			
1864 SS-K750	814036325	190.5	7.50	4.80	514-114-25			

Standard length: 3.048 m – 10 feet (160 links). Min. backflex radius 305 mm.

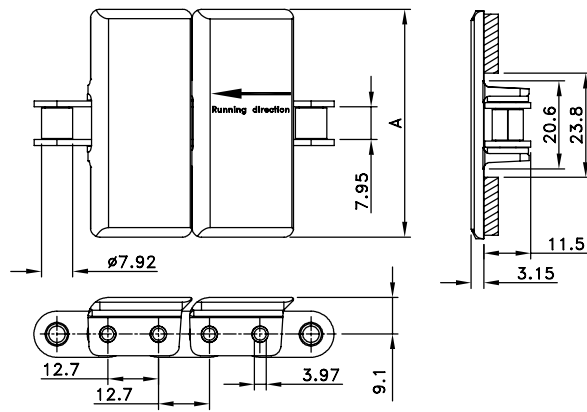
Straight Run 3/4" Pitch Plastic Top Plate



Chain Type	Code Number	Plate Width A		Weight kg/m	Loose Top Plate Code Number	Working Load (max.) N (21°C)	Connection Link	
		mm	inch				Type	Code Number
LF-Acetal Top Plate/Steel Base Chain								
LF 963-K325	L0963604431	82.5	3.25	2.10	114-139-5	2700	CL-63	36742
LF 963-K450	L0963604441	114.3	4.50	2.23	114-139-6			
LF 963-K600	L0963604451	152.4	6.00	2.53	114-139-7			
LF 963-K750	L0963604461	190.5	7.50	2.68	114-139-8			
LF-Acetal Top Plate/Stainless Steel Base Chain								
LF 963 SS-K325	L0963604471	82.5	3.25	2.10	114-139-5	1900	CL-63 SS	36747
LF 963 SS-K450	L0963604481	114.3	4.50	2.23	114-139-6			
LF 963 SS-K600	L0963604491	152.4	6.00	2.53	114-139-7			
LF 963 SS-K750	L0963604501	190.5	7.50	2.68	114-139-8			

Standard length: 3.048 m – 10 feet (160 links). Min. backflex radius 153 mm.

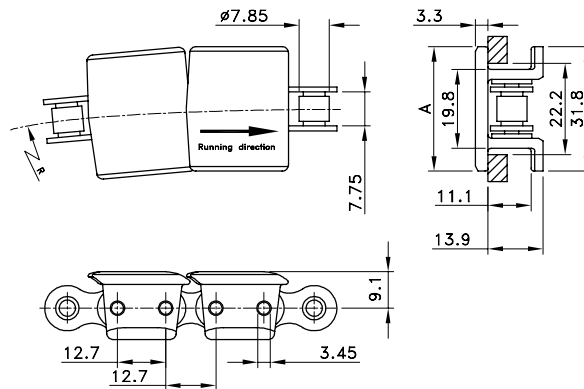
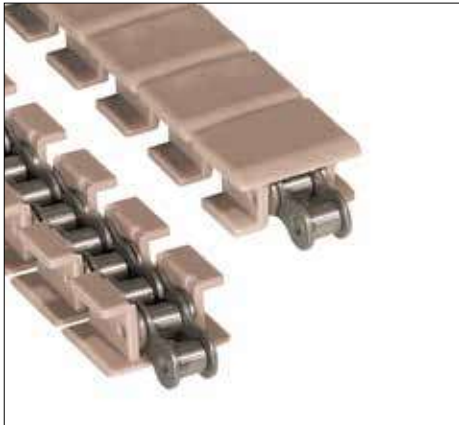
Straight Run 1/2" Pitch Plastic Top Plate



Chain Type	Code Number	Plate Width A		Weight kg/m	Loose Top Plate Code Number	Working Load (max.) N (21°C)	Connection Link	
		mm	inch				Type	Code Number
LF-Acetal Top Plate/Steel Base Chain								
LF 843-K138	L0843604271	34.9	1.38	0.83	L0843621601	2700	CL-843	36418
LF 843-K144	L0843604281	36.5	1.44	0.84	L0000601742			
LF 843-K200	L0843604291	50.8	2.00	0.89	L0000669391			
LF 843-K325	L0843604301	82.5	3.25	1.03	L0843623581			
LF-Acetal Top Plate/Stainless Steel Base Chain								
LF 843 SS-K138	L0843604311	34.9	1.38	0.83	L0843621601	1900	CL-843 SS	69479
LF 843 SS-K144	L0843604321	36.5	1.44	0.84	L0000601742			
LF 843 SS-K200	L0843604331	50.8	2.00	0.89	L0000669391			
LF 843 SS-K325	L0843604341	82.5	3.25	1.03	L0843623581			

Standard length: 3.048 m – 10 feet (240 links).
Min. backflex radius 153 mm.

Sideflex 1/2" Pitch Tab Plastic Top Plate



Chain Type	Code Number	Plate Width A		Weight kg/m	Loose Top Plate Code Number	Working Load (max.) N (21°C)	Sideflex Radius (min) mm	Connection Link	
		mm	inch					Type	Code Number
LF-Acetal Top Plate/Steel Base Chain									
LF 1843 TAB-K125	L1843604601	31.8	1.25	0.74	114-495-1	2700	254	CL-1843	1843-MO-CL
LF 1843 TAB-K200	L1843688961	50.8	2.00	0.90	114-1448-1				

Standard length: 3.048 m – 10 feet (240 links).
Min. backflex radius 102 mm.